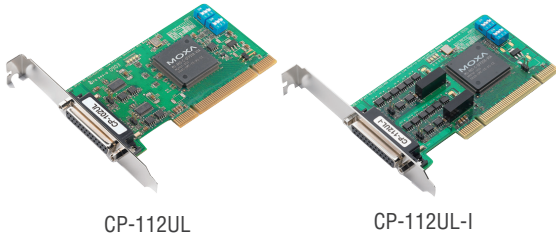


CP-112UL/UL-I Series

2-port RS-232/422/485 Universal PCI serial boards with optional 2 KV isolation



- > Over 700 Kbps data throughput for top performance
- > 128-byte FIFO and on-chip H/W, S/W flow control
- > Universal PCI compatible with 3.3/5 V PCI and PCI-X
- > Serial communication speed up to 921.6 Kbps
- > Drivers provided for a broad selection of operating systems, including the latest Windows and Linux
- > Easy maintenance with on-board LED display
- > On-board 15 KV ESD and 2 KV optical isolation protection
- > Wide temperature model available for -40 to 85°C environments



Overview

Moxa's CP-112UL/UL-I series of multiport serial boards are designed to be used by industrial automation system integrators for long distance, multi-point, PC-based data acquisition applications. On-chip Automatic Data Direction Control for precision RS-485 communication requires precise timing control for enabling and disabling the line driver. Moxa's Turbo Serial Engine™ chip that powers the CP-112UL/UL-I boards comes with on-chip ADDC®, which makes RS-485 as

easy to use as RS-232. The boards come with 2 RS-422/485 serial ports, both of which can achieve data rates up to 921.6 Kbps. In RS-485 mode, the serial port can connect up to 31 daisy-chained RS-485 devices within a range of 1.2 km. For long distance RS-485 communication, 2 KV optical isolation protection is available to prevent equipment damage.

Drivers Provided for Windows, Linux, and Unix

Moxa continues to support a wide variety of operating systems, and the CP-112UL/UL-I boards are no exception. Reliable Windows COM

and Linux/Unix TTY drivers are provided for all Moxa boards, and other operating systems, such as WEPOS, are also supported for embedded integration.

Specifications

Hardware

Comm. Controller: MU860 (16C550C compatible)

Bus: 32-bit Universal PCI

Connector: DB25 female

Serial Interface

Number of Ports: 2

Serial Standards: RS-232/422/485

Max. No. of Boards per PC: 4

ESD Protection: 15 KV on the board

Optical Isolation: 2 KV (CP-112UL-I only)

Performance

Baudrate: 50 bps to 921.6 Kbps

Serial Communication Parameters

Data Bits: 5, 6, 7, 8

Stop Bits: 1, 1.5, 2

Parity: None, Even, Odd, Space, Mark

Flow Control: RTS/CTS, XON/XOFF

I/O Address: Assigned by BIOS

IRQ: Assigned by BIOS

Serial Signals

RS-232: TxD, RxD, RTS, CTS, DTR, DSR, DCD, GND

RS-422: TxD+(B), TxD-(A), RxD+(B), RxD-(A), GND

RS-485-4w: TxD+(B), TxD-(A), RxD+(B), RxD-(A), GND

RS-485-2w: Data+(B), Data-(A), GND

Driver Support

Operating Systems: Windows (2012 x64, 8/7/XP/2003/Vista/2008 x86/x64, 2000, 9X/ME/NT), Windows CE 5.0/6.0, Windows XP Embedded, DOS, Linux 2.4.x, Linux 2.6.x, FreeBSD 4/5, QNX 6, SCO OpenServer 5/6, UnixWare 7, Solaris 10 x86/x64

Note: Please refer to Moxa's website for the latest driver support information.

Physical Characteristics

Dimensions: 64.4 x 120 mm (2.53 x 4.72 in)

Environmental Limits

Operating Temperature:

Standard Models: 0 to 55°C (32 to 131°F)

Wide Temp. Models: -40 to 85°C (-40 to 185°F)

Storage Temperature: -40 to 85°C (-40 to 185°F)

Ambient Relative Humidity: 5 to 95% (non-condensing)

Altitude: Up to 2000 m

Note: Please contact Moxa if you require products guaranteed to function properly at higher altitudes.

Standards and Certifications

EMC: CE, FCC
EMI: EN 55022, FCC Part 15 Subpart B Class B
EMS: EN 55024, IEC 61000-4-2, IEC 61000-4-3
Green Product: RoHS, CRoHS, WEEE
MTBF (mean time between failures)
Time: 219,971 hrs
Database: Telcordia (Bellcore), GB
Power Requirements

Power Consumption:

CP-112UL: 175 mA @ 5 VDC
 CP-112UL-I: 290 mA @ 5 VDC

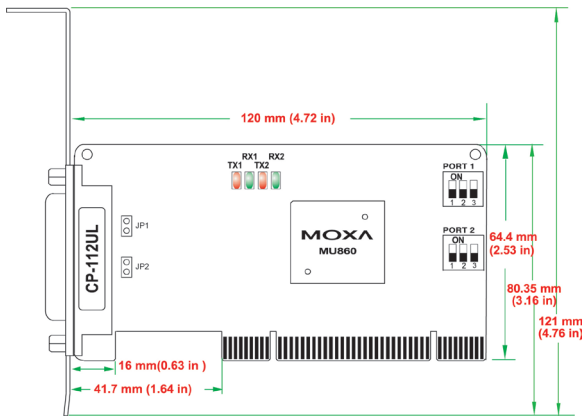
Warranty

Warranty Period: 5 years
Details: See www.moxa.com/warranty

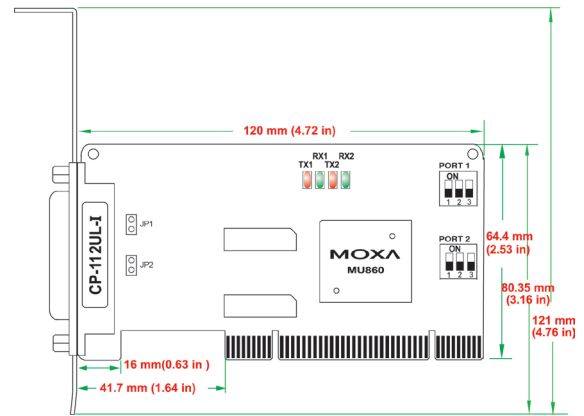
Dimensions

Unit: mm (inch)

CP-112UL



CP-112UL-I



Ordering Information

Available Models

CP-112UL-DB9M: 2-port RS-232/422/485 low profile Universal PCI board, 0 to 55°C operating temperature (includes DB9 male cable)

CP-112UL-I-DB9M: 2-port RS-232/422/485 low profile Universal PCI board with optical isolation, 0 to 55°C operating temperature (includes DB9 male cable)

CP-112UL-T: 2-port RS-232/422/485 low profile Universal PCI board, -40 to 85°C operating temperature

CP-112UL-I-T: 2-port RS-232/422/485 low profile Universal PCI board with optical isolation, -40 to 85°C operating temperature

Connection Options (can be purchased separately)

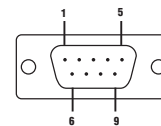
CBL-M25M9x2-50

DB25 male to DB9 male x 2 (50 cm cable)



PIN	RS-232	RS-422	RS-485-4W	RS-485-2W
1	DCD	Txd-(A)	Txd-(A)	—
2	RxD	Txd+(B)	Txd+(B)	—
3	TxD	RxD+(B)	RxD+(B)	Data+(B)
4	DTR	RxD-(A)	RxD-(A)	Data+(A)
5	GND	GND	GND	GND
6	DSR	—	—	—
7	RTS	—	—	—
8	CTS	—	—	—
9	—	—	—	—

DB9 male



Package Checklist

- 1 CP-112UL or CP-112UL-I board
- Low profile bracket
- Documentation and software CD
- Quick installation guide (printed)
- Warranty card